



(866) 379-2600

www.drycogroup.com

SPECIFICATIONS:

Description: A unique mechanical dehumidification unit that delivers dehumidified air at cold temperatures. The ideal unit for hot conditions when humidity control is needed and worker safety/interior climate control is a priority.

Mechanical dehumidifier: 2000cfm

Dimensions: 2'10"W x 5'6"L x 6'2"H

Weight: 1,900lbs (with cable)

Full Load Amperage: 30 amps at 460 volts

Power Supply: 460 Volt, 60 Hertz, 3 Phase

Main Disconnect: 60 amps

Generator Req's: 35KW, 480 volt

Supply Air Blower: 2,000cfm @ 2.5" leaving static pressure (air flow is thermostat controlled to hold dew point setting)

Refrigeration: 1 - 16 ton, R-22, scroll compressor

Duct Connection: 1 (one) - 18" diameter duct

Filter Size: 2 - 14" H x 20" W x 2" deep

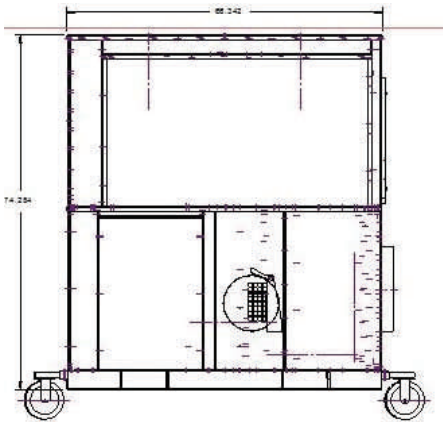
Lifting Options: Fork lift pockets and four-point overhead lifting rings (skid mounted available)

Leaving Air Temperature: 40°F to 55°F

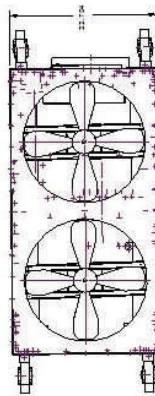
Moisture Removal Capacity Up to 60 lbs. per hour!

ArcticDRY

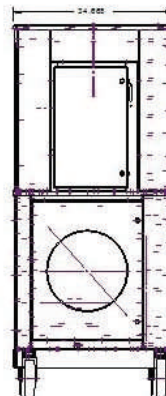
2000cfm Mechanical Dehumidifier



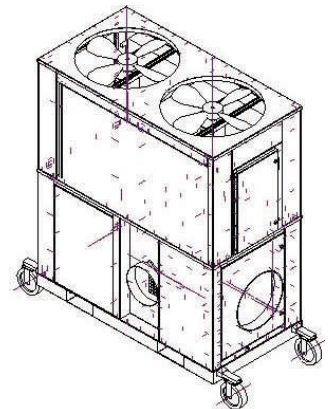
SIDE VIEW



TOP VIEW



END VIEW



TOP ANGLE VIEW

(866) 379-2600

www.drycogroup.com

info@drycogroup.com