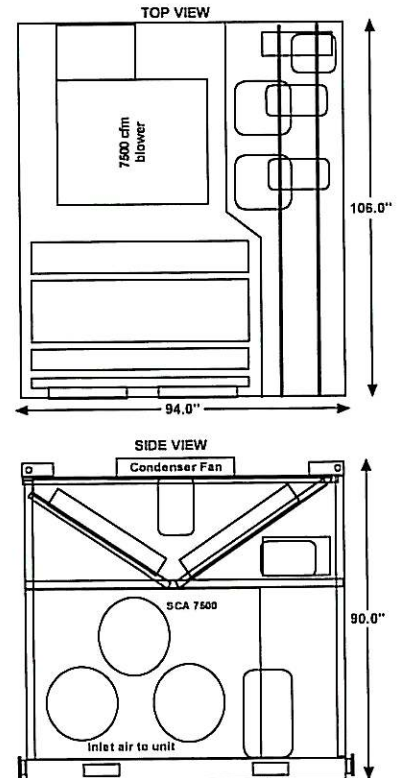


# 30 Ton Process Cooler

## Process Cooler 7500: 5,000 to 7,500cfm Dehumidification Package

<b>Dimensions:</b>	7'10" W x 8'10" L x 7'6" H
<b>Weight:</b>	6000 pounds
<b>Full load amperage:</b>	76 amps at 460 volts
<b>Power Supply:</b>	460 Volt, 60 Hertz, 3 phase
<b>Main disconnect:</b>	100 amps
<b>Generator Requirements:</b>	70KW, 480 volt
<b>Supply air blower:</b>	7,500 cfm @ 0" leaving static pressure; 5,000 cfm @ 5" leaving static pressure (air flow is thermostat controlled to maintain dew point setting)
<b>Refrigeration:</b>	2 - 16 ton, R-22, scroll compressors
<b>Duct Connection:</b>	1-18" diameter duct
<b>Filter Size:</b>	6 - 20" H x 20" W x 2" deep
<b>Lifting Options:</b>	Fork lift pockets in base and four point overhead lifting lugs
<b>Supply air dew point:</b>	40°F dew point
<b>Supply air temperature:</b>	40°F to 90°F, thermostatically controlled



### Moisture Removal Capacity:

100% outside air @ 95°F, 50% rh: 223 pounds of water per hour

100% outside air @ 75°F, 90% rh: 223 pounds of water per hour

Building return air @ 80°F, 60% rh: 199 pound of water per hour

